

### Electrical

Electrical supply: 230-240 V AC, single phase 50 Hz  
 Rated power: 1600 W  
 Motor type: Dyson digital motor. Switched reluctance brushless  
 Motor speed: 88,000 rpm  
 Heater type: None  
 Standby power consumption: 1 W  
 Energy consumption per dry: 0.0044 kWh

### Construction

Die-cast aluminium casing with anti-microbial vandal resistant lacquer coating on exterior surfaces  
 Colour finish: Metallic silver, gloss lacquer  
 Anti-microbially impregnated external plastics and seals  
 Galvanised steel back plate / mounting bracket  
 Tamper-proof T30 type exterior screws  
 Water ingress protection to IPX5

### Filtration

Lifetime anti-microbial HEPA H12 filter  
 Particulate removal tested to 99.5% at 0.15  $\mu$  MPPS according to EN1822  
 Bacteria removal 99.9%

### Operation

Touch-free infra-red activation  
 Hand dry time: 10 seconds (measured to method defined by National Sanitation Foundation protocol P335)  
 Operation lock-out period: 30 seconds  
 Airspeed at nozzle: 400 mph  
 Operating airflow: 37 l/s  
 Rated operating noise power: 85 dB(A)

### Logistics

Serial number prefix: A01  
 Single unit order code: 14215-01  
 Unit weight: 14.5 kg  
 Packaged weight: 17.5 kg  
 Packaged dimensions: 740 x 365 x 315 mm  
 Pallet count: 13  
 Pallet type: UK (1200 x 1000 mm)  
 Unit barcode: 5025155006887

### Standard warranty

5 year (or 350,000 uses) parts, 1 year labour

### Product Certification

BEAB approved to IEC/EN60335-1 and IEC/EN60335-2-23  
 Compliant to EMC directive according to EN55014-1, EN55014-2, EN61000-3-2, EN61000-3-3

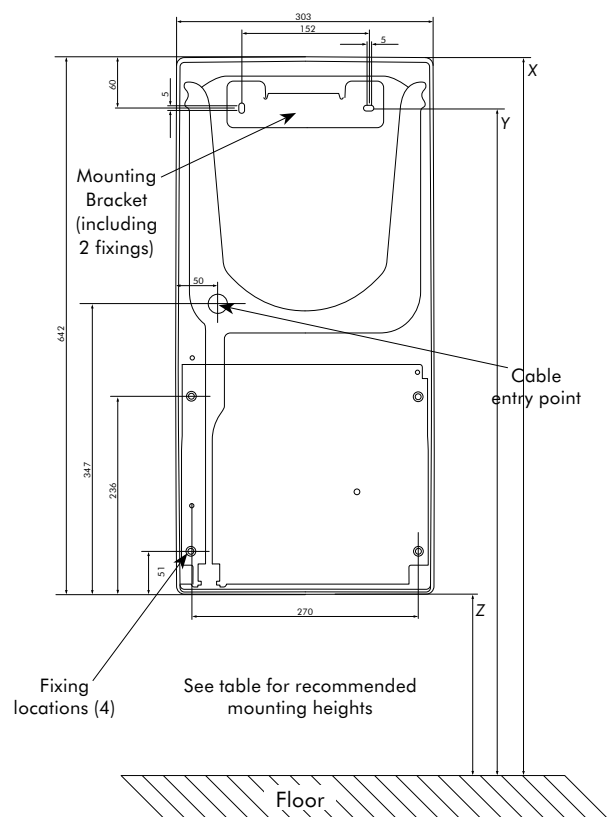
Recommended installation heights measured from floor	Male	Female	Child or Disabled
x To top of machine	1050 mm	975 mm	875 mm
y To mounting bracket screw	990 mm	915 mm	815 mm
z To bottom of machine	408 mm	333 mm	233 mm

### Manufactured materials

Plastic: ABS, polyurethane, polypropylene, BMC, PTFE  
 Rubber: Styrene, butadiene, EPDM  
 Metal: Die cast aluminium, steel, copper, zinc, ferrite cores  
 Other: Powder coat, lacquer, glass, glass paper, synthetic fibre fleece, hotmelt glass wool adhesive

For further information please contact Dyson on  
**0800 345 7788 (UK) 01-401-8300 (ROI)**  
 or email any questions to [airbladeQ&A@dyson.com](mailto:airbladeQ&A@dyson.com)

### REAR ELEVATION



### SIDE ELEVATION

